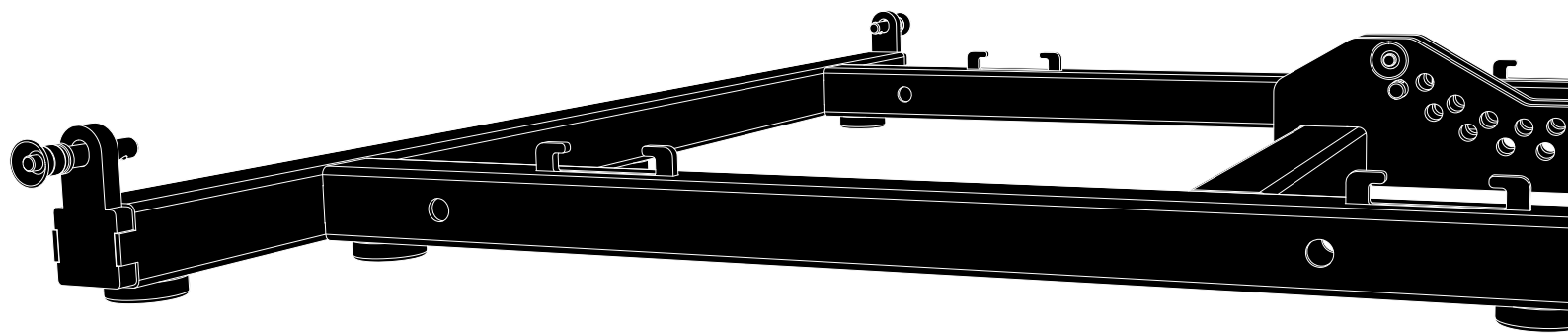


SL

Z5731

Rigging manual 1.1 en



General information

Z5731 Rigging manual

Version: 1.1 en, 03/2020, D2739.EN .01

Copyright © 2020 by d&b audiotechnik GmbH & Co. KG; all rights reserved.

Keep this document with the product or in a safe place so that it is available for future reference.

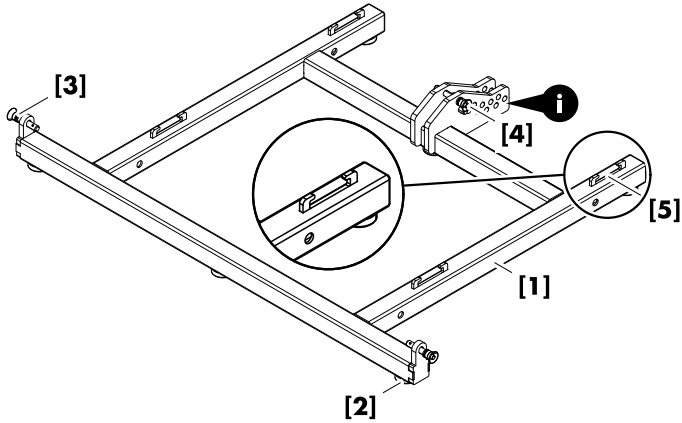
We recommend you to regularly check the d&b website for the latest version of this document.

When reselling this product, hand over this document to the new owner.

If you supply d&b products, please draw the attention of your customers to this document. Enclose the relevant documents with the systems. If you require additional documents for this purpose, you can order them from d&b.

d&b audiotechnik GmbH & Co. KG
Eugen-Adolff-Str. 134, D-71522 Backnang, Germany
T +49-7191-9669-0, F +49-7191-95 00 00
docadmin@dbaudio.com, www.dbaudio.com

1	Z5731 KSL Stacking frame	4
1.1	Scope of supply	4
1.2	Safety precautions and intended use	4
2	Assembly/Disassembly	5
2.1	Operational safety	5
2.2	Tension mode rigging	5
2.3	First cabinet to frame - Instruction label	5
2.4	Adding further cabinets	6
2.5	Safety and system checks	8
2.6	Disassembly	8
3	Care and maintenance	9
3.1	Transport / Storing	9
3.2	Visual and functional inspection	9
4	Manufacturer's declarations	10
4.1	EU conformity (CE symbol)	10
4.2	Disposal	10



1.1 Scope of supply

The Z5731 KSL Stacking frame is equipped and supplied with the following components.

Please verify the shipment for completeness and proper condition of the items.

Pos.	Qty.	Description
[1]	1	Z5731 KSL Stacking frame
Including:		
[2]	6	Rubber feet
[3]	2	Locking pins type C, 10 x 35 mm
[4]	2	Locking pins type B, 10 x 45 mm
[5]	4	Guide lugs
i		Instruction label providing vital safety and rigging instructions.
		D2739.EN .01 Z5731 Rigging manual

Weight 30 kg/66 lb

1.2 Safety precautions and intended use

In connection with KSL/KSLi-TOP groundstacks, the d&b Z5731 KSL Stacking frame is used to provide an adequate and stable ground support for groundstack setups on top of applicable d&b subwoofers or other suitable surfaces.

! WARNING!
Potential risk of personal injury and/or damage to material!

Always secure ground stacked setups against movement and possible tipping over.

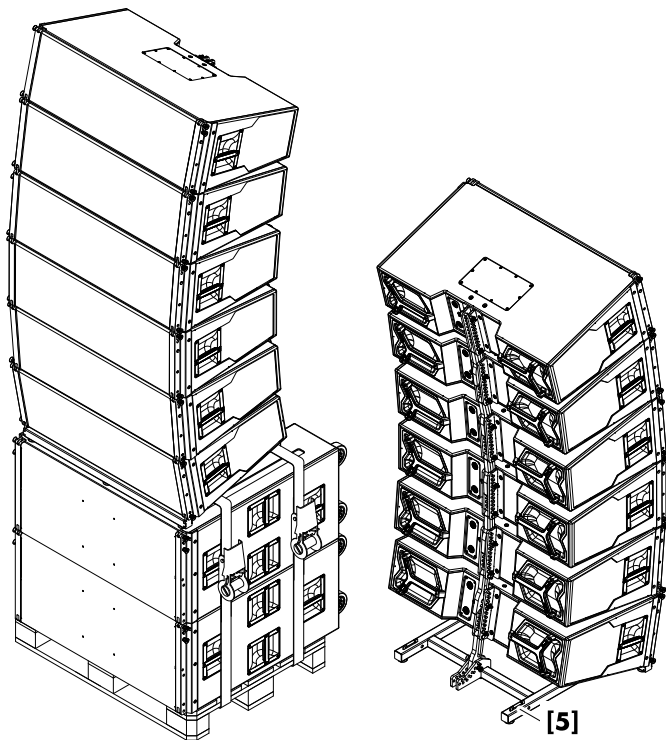
For this purpose, the stacking frame is equipped with dedicated guide lugs [5], which accept a standard 60 mm (2.4") ratchet strap.

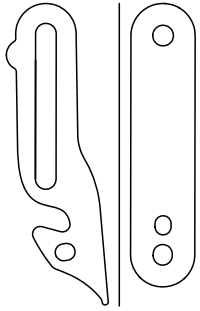
Limitations:

Observe the maximum number of cabinets permitted: **6** x KSL/KSLi-TOP.

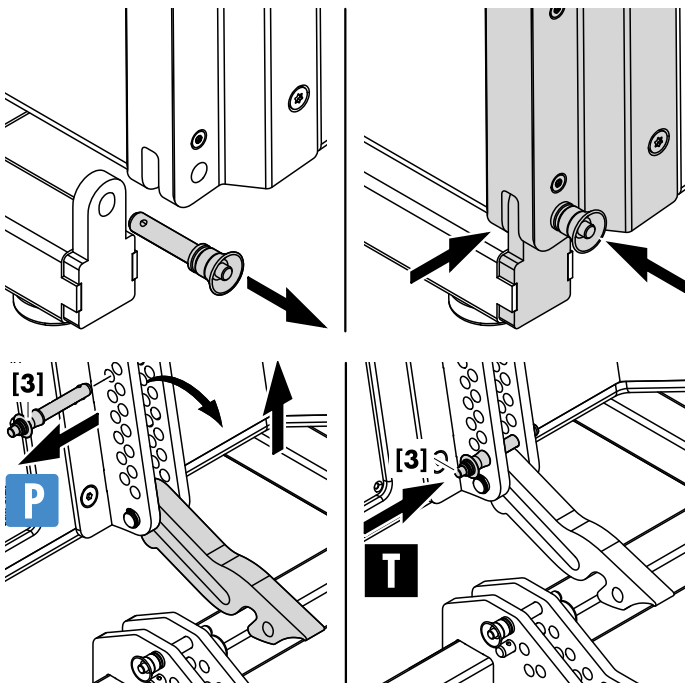
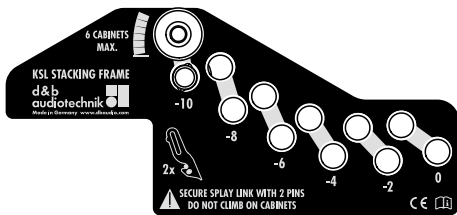
- Installation and setup should only be carried out by qualified and authorized personnel observing the valid national Rules for the Prevention of Accidents (RPA).
- Always carry out a visual and functional inspection of the items before use. In case there is any doubt as to the proper functioning and safety of the items, these must be withdrawn from use immediately.

Please also refer to ⇒ Chapter 3 "Care and maintenance" on page 9.





Cabinet Splay links:
KSL-TOP | KSLi-TOP



2.1 Operational safety

The assembly should always be carried out by two persons.

During assembly pay attention to the possible risk of crushing. Wear suitable protective clothing.

Observe all instructions given on the respective instruction labels of the rigging components and loudspeaker cabinets.

2.2 Tension mode rigging

NOTICE!

For safety and stability reasons, KSL-TOP cabinets must always be interconnected using the Tension mode.

KSLi-TOP cabinets are interconnected in Tension link mode by default due to the construction of the cabinet's Splay link.

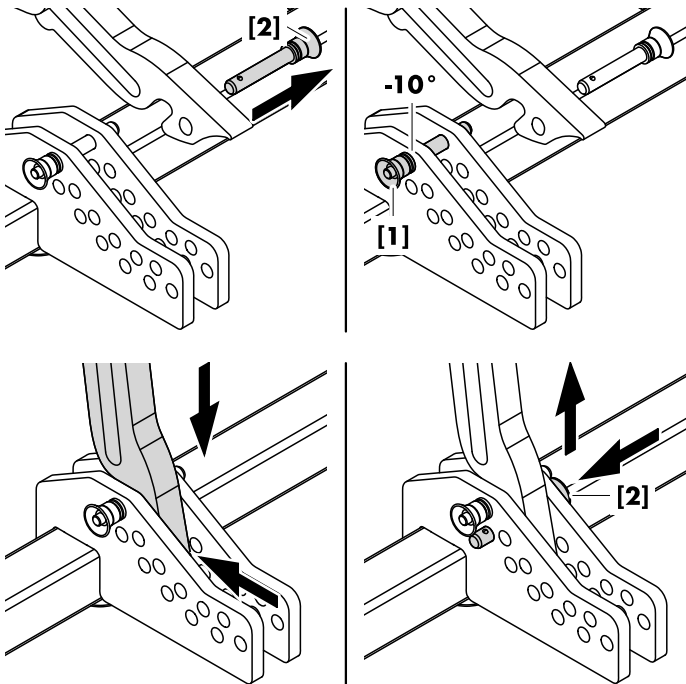
Note: Please also refer to the d&b SL-Series Rigging manual which can be downloaded from the d&b website at www.dbaudio.com.

2.3 First cabinet to frame - Instruction label

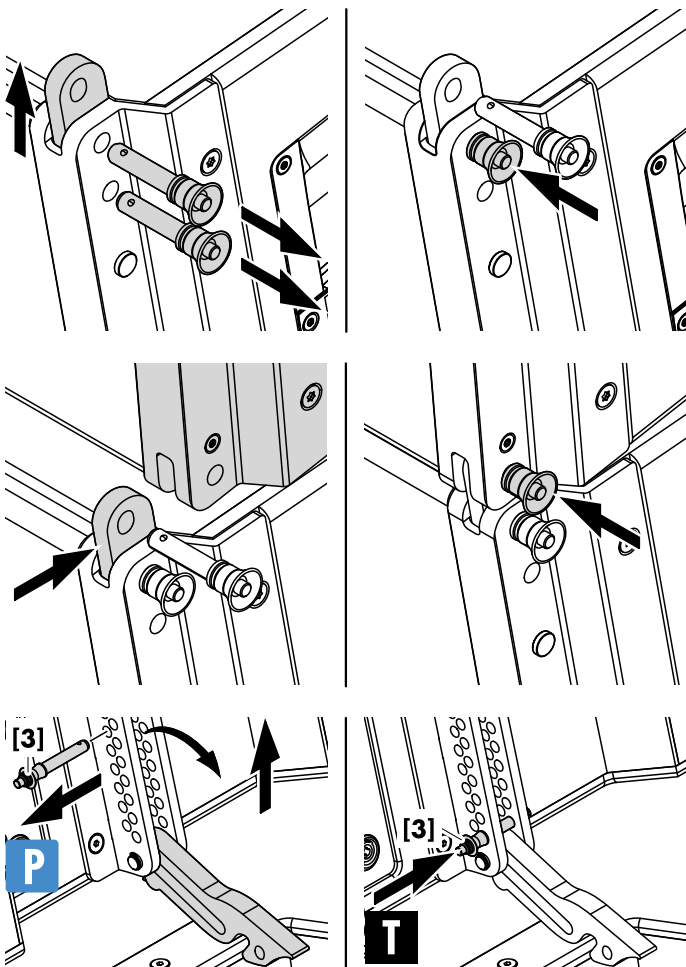
The rear center Splay link slot of the frame allows the first cabinet to be set to downtilt angles from 0° to -10° in 2° increments.

To attach the first cabinet to the frame, proceed as follows:

1. Place the frame into its operating position.
2. Secure the frame against movement and possible tipping over using appropriate ratchet straps.
3. Release the Locking pins at the front of the frame on both sides.
4. Attach the first cabinet to the front support of the frame and reinsert the Locking pins on both sides.
5. Slightly lift the back of the cabinet and release the Locking pin [3] holding the Splay link in its park position (⇒ P).
6. Fold down the Splay link and insert Locking pin [3] into the Tension mode hole at the bottom of the rigging strand (⇒ T).



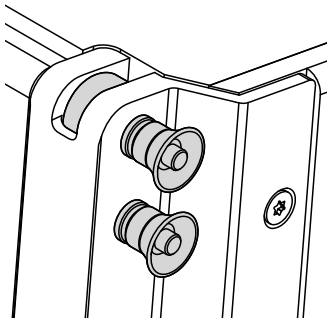
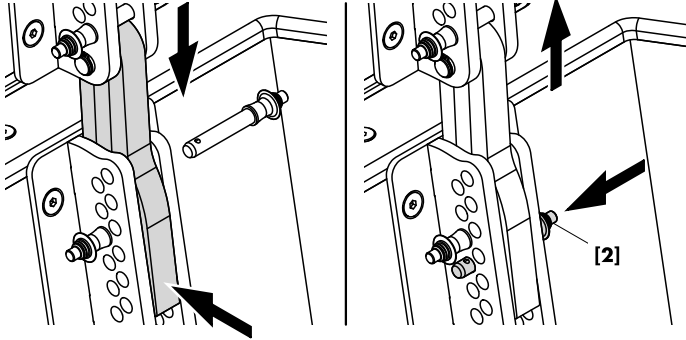
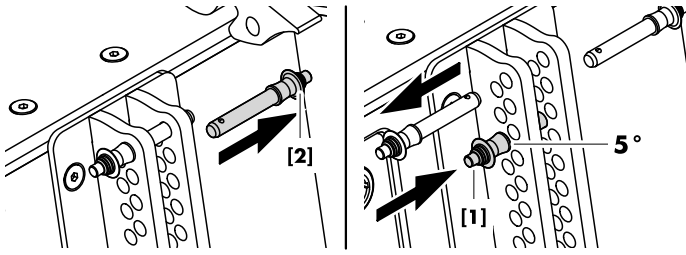
7. At the center rear Splay link slot of the frame, release the bottom Locking pin **[2]**.
8. Use the upper Locking pin **[1]** to set the desired tilt angle (e.g. -10°) on the upper hole grid.
9. Lower the cabinet and insert the Splay link into the slot.
10. Raise the back of the cabinet until the Splay link has engaged and reinsert the bottom Locking pin **[2]** (Safety pin).



2.4 Adding further cabinets

To add further cabinets, proceed as follows:

1. Extend the Front links of the first cabinet on both sides.
 - ↳ The Front links are spring loaded and therefore extend automatically as soon as the Locking pins are released and pulled out.
2. Place the next cabinet onto the first cabinet until the Front links fit into the slots of the cabinet.
3. Insert and lock the second Locking pins of the cabinet's Front links on both sides.
4. Slightly lift the back of the upper cabinet and release the Locking pin **[3]** holding the Splay link in its park position (⇒ **P**).
5. Fold down the Splay link and insert Locking pin **[3]** to the Tension mode hole at the bottom of the rigging strand (⇒ **T**).



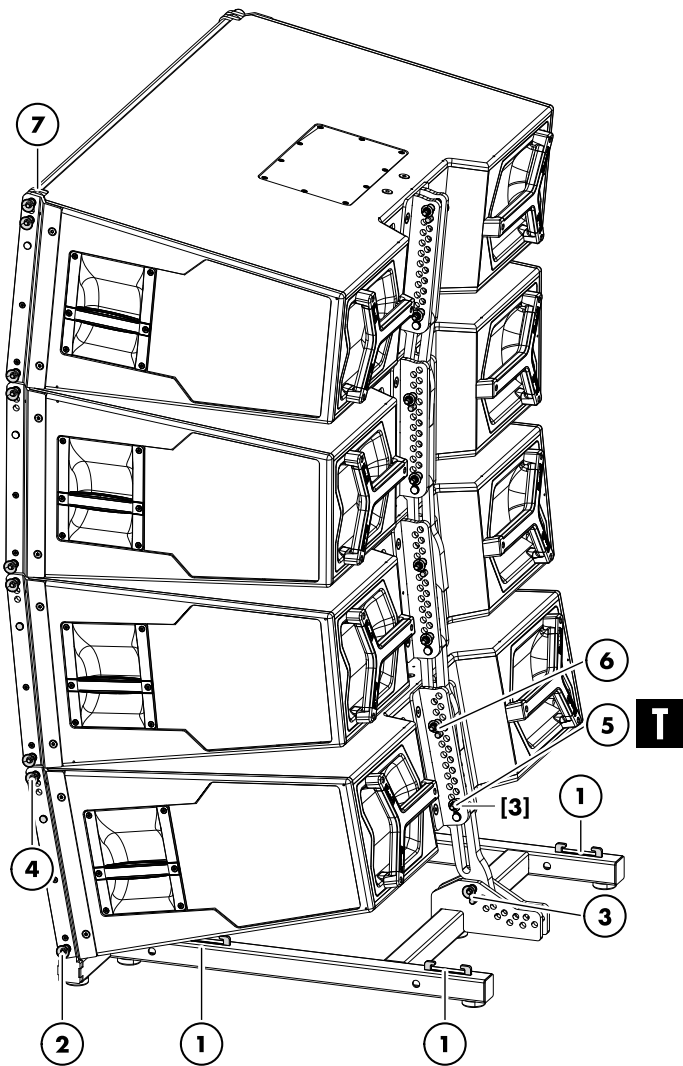
6. On the bottom cabinet, release Locking pin **[2]**.
7. Use Locking pin **[1]** to set the desired splay angle (e.g. 5°) on the upper hole grid of the bottom cabinet.
8. Lower the upper cabinet and insert the Splay link into the rear rigging strand of the bottom cabinet.
9. Raise the back of the upper cabinet until the Splay link has engaged and reinsert the second Locking pin **[2]** (Safety pin).

To add further cabinets, proceed in the same manner until the assembly is completed.

NOTICE!

Potential risk of damage to the rigging components.

To avoid any damage to the Front links of the uppermost cabinet of the groundstack, ensure these Front links are kept in their park positions on both sides.



2.5 Safety and system checks

Recheck the actual status of the entire assembly as follows:

Mechanical setup

1. Ensure the stacking frame is properly secured against movement and possible tipping over using appropriate ratchet straps and fixing points.
2. Ensure the Locking pins of the front fixing support to the first cabinet are fully inserted and properly locked on both sides.
3. Ensure both Locking pins fixing the Splay link of the first cabinet to the rear Splay link slot of the frame are fully inserted and properly locked.
4. Ensure all Locking pins of the Front links of each cabinet are fully inserted and properly locked on both sides.
5. Ensure the Splay links of each cabinet are fixed in the Tension mode hole (⇒ **T**) with Locking pin **[3]** and that this pin is fully inserted and properly locked.
6. Check the splay angles and the attachment of the Splay links at the rear of the cabinets and ensure all Locking pins are fully inserted and locked.
7. Ensure the Front links of the uppermost cabinet are kept in their park positions.

Wiring

- When the amplifiers are wired and powered on, use their System check functions or channel mute switches and a test signal to check the correct operation and routing of all channels and cabinets.
- Alternatively check the wiring using the Array verification function in R1.

2.6 Disassembly

NOTICE!

The same safety instructions apply.

To dismantle the groundstack, follow the assembly and setup instructions in reverse order.

3.1 Transport / Storing

During transport ensure the stacking frame is not stressed or damaged by mechanical forces. Use suitable transport cases.

Due to their surface treatment the rigging components are temporarily protected against moisture. However, ensure the components are in a dry state while stored or during transport.

3.2 Visual and functional inspection



WARNING!

Potential risk of personal injury and/or damage to material.

To eliminate the risk of accident due to malfunctioning of a component, regularly inspect all system components.

Stacking frame

- Visual inspection regarding any indication of deformation and damage (e.g. cracks and corrosion) including all drilled holes of the component.
- Regularly check the flatness of the frame. For this purpose, position the frames on a flat surface and visually check the frame for deformation and/or torsion. For obvious deformation and/or torsion contact d&b audiotechnik for further advice on how to proceed.

Cabinet enclosure

- Visual inspection of all fitting plates for obvious damage (e.g. cracks or corrosion).
- Visual inspection of the rear rigging strand for obvious damage (e.g. cracks, deformation or corrosion) including all drilled holes of the component.
- Inspection of all fitting plates including front grills to ensure they are securely attached.
- Regularly lubricate the sockets using WD-40® or a similar product.

Front and Splay/Rear links

Visual inspection regarding deformation and damage (e.g. cracks and corrosion) including all drilled holes of the component.

Locking pins

- Visual inspection for deformation, cracks and corrosion of the component.
- Inspection for missing ball bearings and damage.
- Functional inspection of the release mechanism to ensure it operates properly.
- Regularly lubricate the Locking pins using WD-40® or a similar product.



4.1 EU conformity (CE symbol)

This declaration applies to:

d&b Z5731 KSL Stacking frame

(Including all additional items)

d&b KSL/KSLi TOP loudspeaker cabinets

(With integrated rigging components)

- Z0780 KSL8
- Z0781 KSL12
- Z0790 KSLi8
- Z0791 KSLi12

manufactured by d&b audiotechnik GmbH & Co. KG.

All product variants are included, provided they correspond to the original technical version and have not been subject to any later design or electromechanical modifications.

We herewith declare that said products are in conformity with the provisions of the respective EC directives including all applicable amendments.

A detailed declaration is available on request and can be ordered from d&b or downloaded from the d&b website at www.dbaudio.com.

4.2 Disposal

When out of use the rigging components must be disposed of in accordance with the national environmental regulations.

Ensure that damaged rigging components are disposed of in a way that they cannot be used again.

