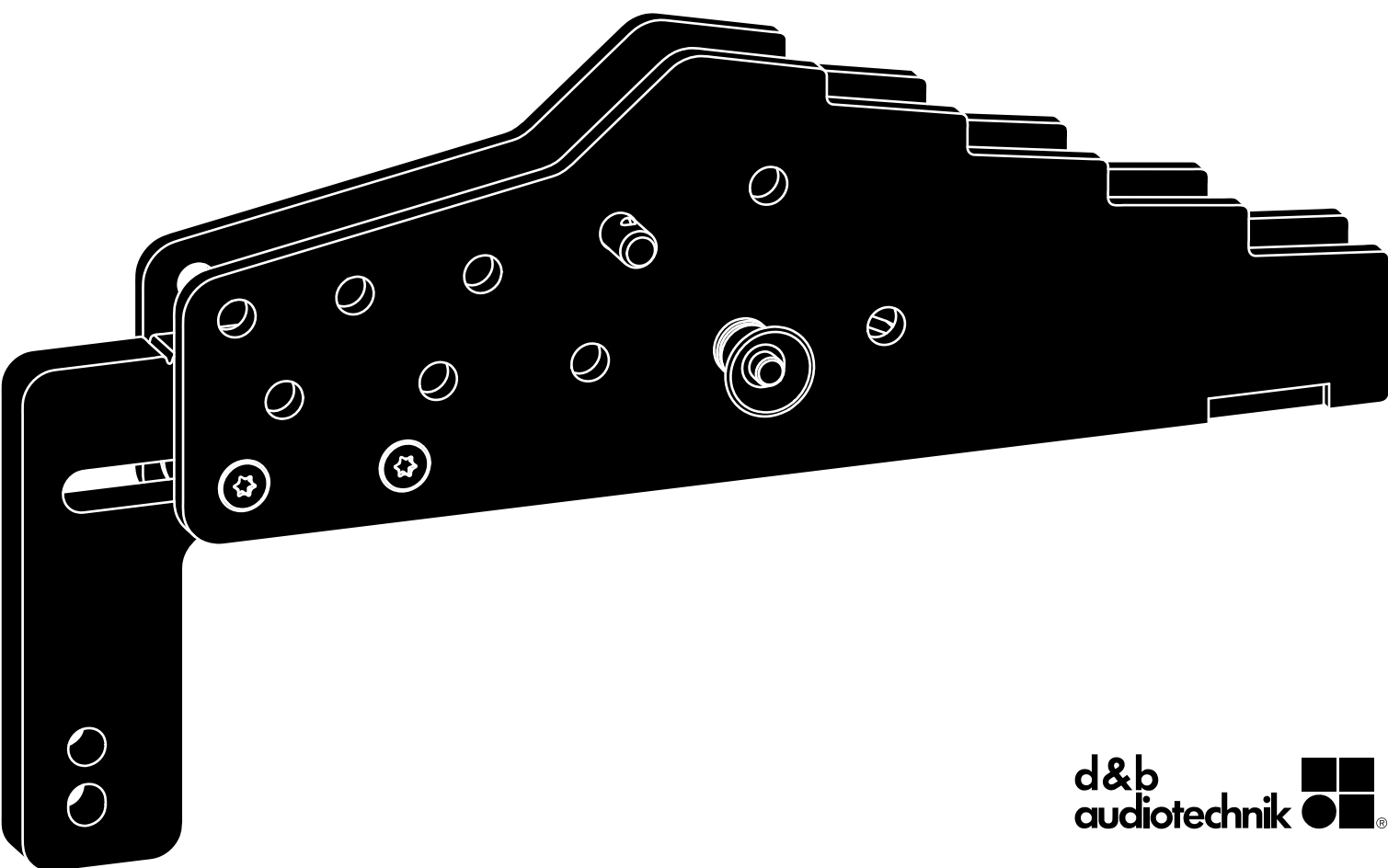


SL

Z5786

Rigging manual

1.1 en



General information

Z5786 Rigging manual

Version: 1.1 en, 07/2023, D2771.EN .01

Copyright © 2023 by d&b audiotechnik GmbH & Co. KG; all rights reserved.

Keep this document with the product or in a safe place so that it is available for future reference.

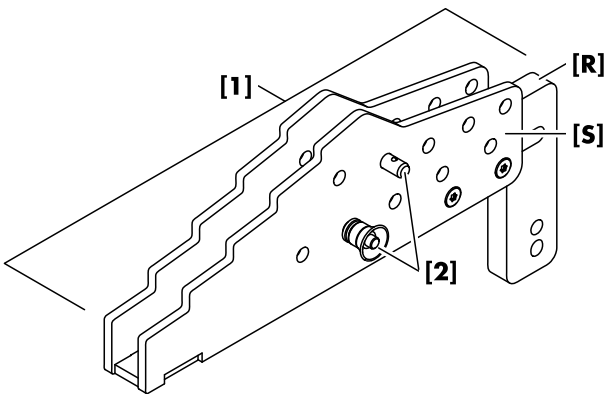
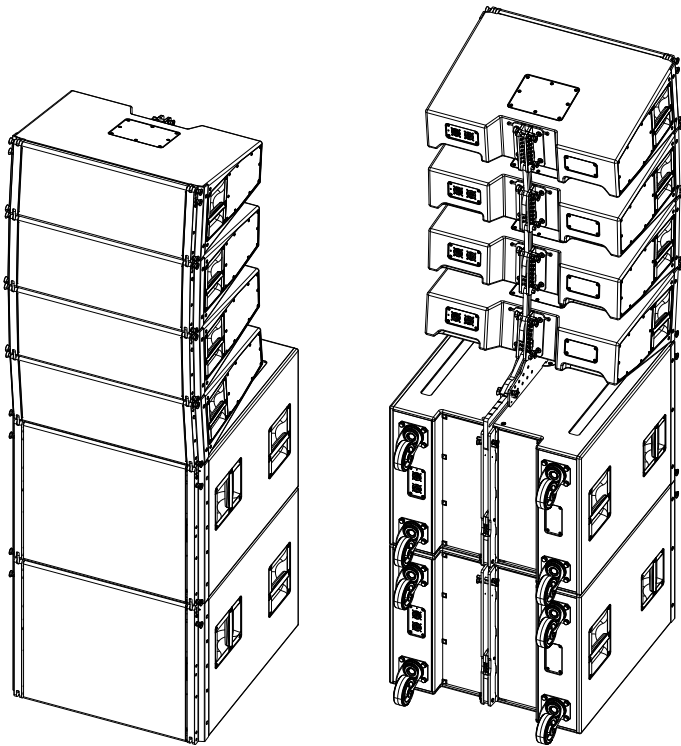
We recommend you to regularly check the d&b website for the latest version of this document.

When reselling this product, hand over this document to the new owner.

If you supply d&b products, please draw the attention of your customers to this document. Enclose the relevant documents with the systems. If you require additional documents for this purpose, you can order them from d&b.

d&b audiotechnik GmbH & Co. KG
Eugen-Adolff-Str. 134, D-71522 Backnang, Germany
T +49-7191-9669-0, F +49-7191-95 00 00
docadmin@dbaudio.com, www.dbaudio.com

1	Z5786 XSL Stack adapter	4
1.1	Intended use.....	4
1.2	Safety.....	4
1.3	Scope of supply.....	4
1.4	Operating principle.....	5
1.5	Assembly/Disassembly.....	6
2	Care and maintenance	9
2.1	Transport / Storing.....	9
2.2	Visual and functional inspection.....	9
3	Manufacturer's declarations	10
3.1	Conformity of rigging components.....	10
3.2	Disposal.....	10



1.1 Intended use

The Z5786 XSL Stack adapter must only be used in conjunction with d&b XSL loudspeakers as described in this manual.

1.2 Safety

WARNING!
Potential risk of personal injury and/or damage to material!

Always secure ground stacked setups against movement and possible tipping over.

Limitations:

A maximum of 4 x XSL TOP cabinets is allowed to be mounted on top of a maximum of two XSL-SUB cabinets.

- Installation and setup should only be carried out by qualified and authorized personnel observing the valid national Rules for the Prevention of Accidents (RPA).
- Always carry out a visual and functional inspection of the items before use. In case there is any doubt as to the proper functioning and safety of the items, these must be withdrawn from use immediately.

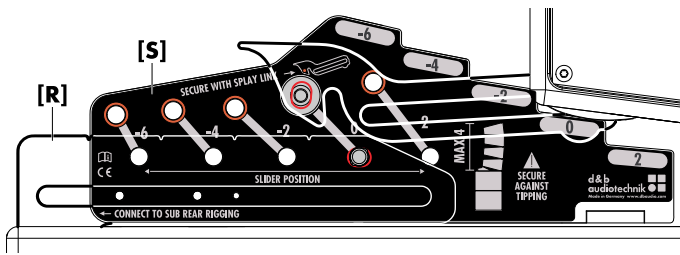
Please also refer to ⇒ Chapter 2 "Care and maintenance" on page 9.

1.3 Scope of supply

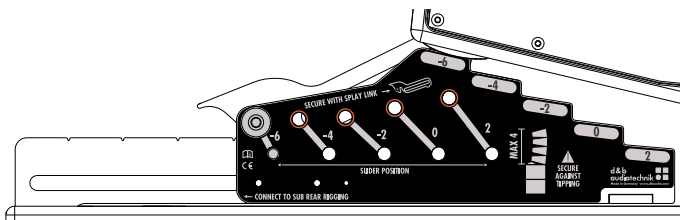
Please verify the shipment for completeness and proper condition of the items.

Pos.	Qty.	d&b Code	Description
[1]	1	Z5786	d&b XSL Stack adapter consisting of fixed rail [R] and sliding carriage [S].
Including:			
[2]	2		Locking pins 9 x 40 mm.
	1	D2771.EN .01	Z5786 Rigging manual

Weight 3.5 kg / 7.7 lb



Sliding carriage and Locking pin setting for 0° tilt



Sliding carriage and Locking pin setting for -6° downtilt

1.4 Operating principle

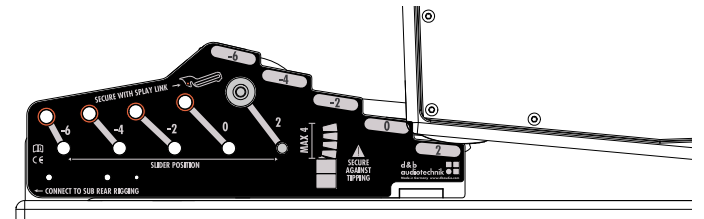
The adapter consists of a fixed rail [R] and a sliding carriage [S]. The sliding carriage features two dedicated hole grids, Locking pins and corresponding stepped supports.

The rail consists of a slotted hole for moving the sliding carriage and a fixed hole for aligning and fixing the sliding carriage in place.

The upper hole grid on the sliding carriage (⇒ Red labeled holes) allows the first XSL TOP cabinet on top of the SUB cabinet to be set to a fixed tilt angle of -6, -4, -2, 0 or 2°.

For this purpose, the hole of the cabinet's Splay link must be used. The Splay link hole defines the angle setting and fixes the back of the cabinet with the help of the stepped supports.

Setting examples



Sliding carriage and Locking pin setting for 2° uptilt

1.5 Assembly/Disassembly

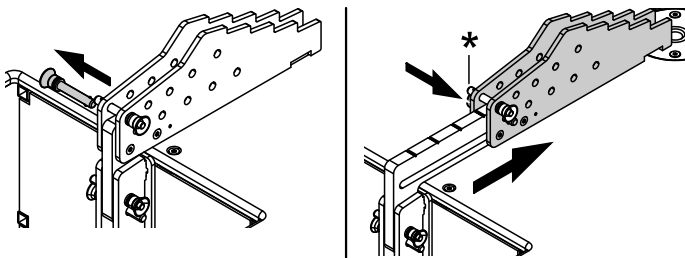
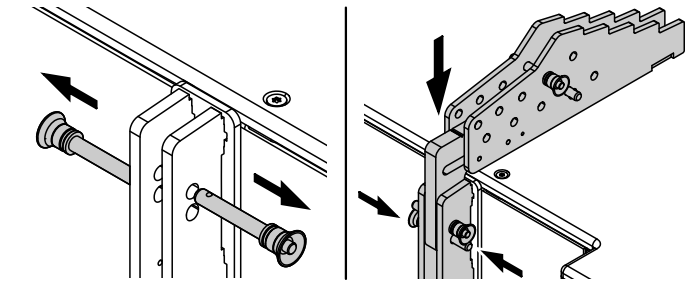
Attaching the adapter

The adapter is attached to the rear rigging strand of the SUB cabinet. To attach the adapter, proceed as follows:

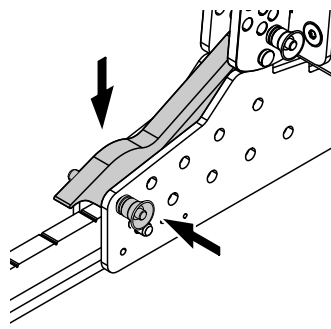
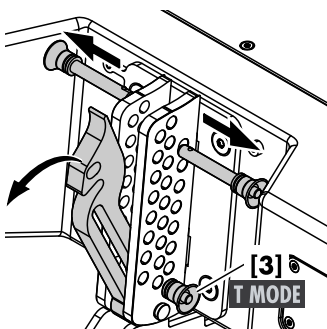
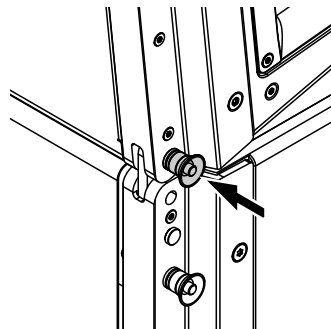
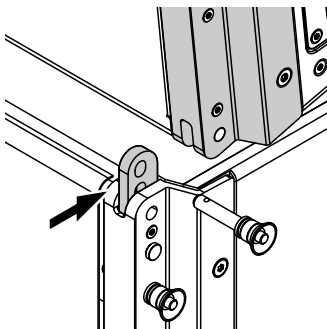
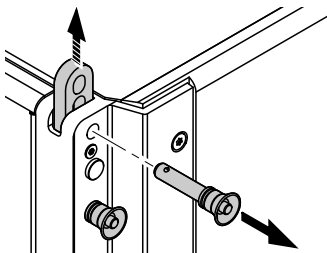
1. Release the two Locking pins on the rear rigging strand of the SUB cabinet.
2. Attach the adapter as shown in the graphic opposite.
3. Reinsert and lock the two Locking pins on the SUB cabinet.

Adjusting the sliding carriage

1. Release the Locking pin of the bottom hole grid on the sliding carriage.
2. Move the sliding carriage until the hole of the bottom hole grid that corresponds to the desired tilt angle is in line with the fixed hole of the rail.
3. Reinsert and lock the the bottom Locking pin to this hole to fix the sliding carriage in place.

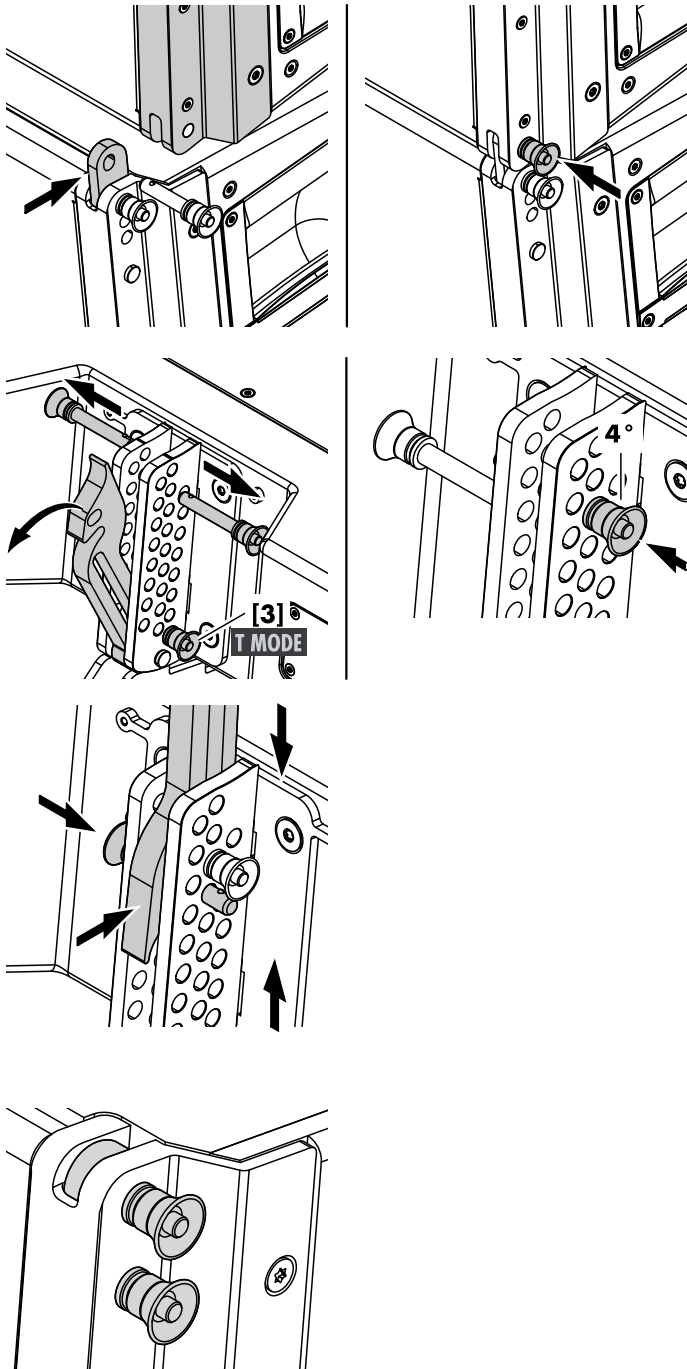


* Shown:
Sliding carriage position for -6° downtilt



Attaching the first cabinet

1. On the SUB cabinet, release the upper Locking pins on both sides.
 - ↳ The Front link extends automatically.
2. Attach the first cabinet until the Front links of the SUB cabinet fit into the slots at the front of the TOP cabinet.
3. Insert and lock the Locking pins of the SUB cabinet's Front links on both sides.
4. At the rear, release the Splay link of the TOP cabinet.
5. Ensure Locking pin [3] is inserted in the Tension mode hole at the bottom of the rigging strand (⇒ Red labeled hole **T MODE**).
6. Insert the Splay link into the sliding carriage of the Stack adapter and reinsert the Locking pin into the corresponding hole to fix the Splay link in place.



Attaching the next (second) cabinet

Further cabinets are interconnected in **Tension mode**.

1. Extend the Front links of the first cabinet on both sides.
2. Attach the second cabinet until the Front links of the first cabinet fit into the slots at the front of the second cabinet.
3. Insert and lock the Locking pins of the first cabinet's Front links on both sides.
4. At the rear, release the Splay link of the second cabinet.
5. Ensure Locking pin **[3]** is inserted in the Tension mode hole at the bottom of the rigging strand (⇒ Red labeled hole **T MODE**).
6. On the bottom cabinet, preset the desired splay angle (e.g. 4°) by inserting one Locking pin into the corresponding hole at the center or outer hole grid of the rear rigging strand.
7. Lower the upper cabinet and insert the Splay link into the rear rigging strand of the bottom cabinet.
8. Raise the back of the upper cabinet until the Splay link has engaged and reinsert the second Locking pin **[2]** (Safety pin).

To add further cabinets, proceed in the same manner until the assembly is completed.

Front links of the last (uppermost) cabinet

NOTICE!

Potential risk of damage to the rigging components.

To avoid any damage to the Front links of the uppermost cabinet of the ground stack, ensure these Front links are kept in their park positions on both sides.

Check the assembly

Recheck the actual status of the entire assembly and apply the cabling.

Disassembling the groundstack

NOTICE!

The same safety instructions apply.

To dismantle the groundstack, follow the assembly and setup instructions in reverse order.

2.1 Transport / Storing

During transport ensure the rigging components are not stressed or damaged by mechanical forces. Use suitable transport cases.

Due to their surface treatment the rigging components are temporarily protected against moisture. However, ensure the components are in a dry state while stored or during transport and use.

2.2 Visual and functional inspection



WARNING!

Potential risk of personal injury and/or damage to material

To eliminate the potential risk of accident due to malfunctioning of a component, regularly inspect all system components.

Visual inspection regarding deformation and damage (e.g. cracks and corrosion) including all drilled holes of the component.



3.1 Conformity of rigging components

This declaration applies to:

d&b Z5786 XSL Stack adapter

(Including all additional items)

d&b XSL loudspeaker cabinets

(With integrated rigging components)

- Z0770 XSL8
- Z0772 XSL12
- Z0774 XSL-SUB

by d&b audiotechnik GmbH & Co. KG.

All product variants are included, provided they correspond to the original technical version and have not been subject to any later design or electromechanical modifications.

We herewith declare that said products are in conformity with the provisions of the respective directives including all applicable amendments.

Detailed and applicable declarations are available on request and can be ordered from d&b or downloaded from the d&b website at www.dbaudio.com.

WEEE-Reg.-Nr. DE: 13421928

3.2 Disposal

When out of use the rigging components must be disposed of in accordance with the national environmental regulations.

Ensure that damaged rigging components are disposed of in a way that they cannot be used again.

