

The 16C loudspeaker



16C loudspeaker

The 16C is a passive 2-way column loudspeaker housing four 4" neodymium drivers and 0.75" compression driver mounted on a CD horn. In the vertical plane, the cabinet provides directivity control down to 500 Hz.

The HF horn has a nominal dispersion of 90° x 40° (h x v).

The 4" drivers are arranged in a unique cardioid setup radiating through waveguide elements at the front and damped ports at the rear of the cabinet.

This design provides a cardioid dispersion pattern with an average broadband attenuation to the rear of approx. 18 dB.

The loudspeaker cabinet is based on an extruded aluminum profile with a metal grill protecting the front of the loudspeaker.

d&b amplifiers

The d&b audiotechnik loudspeaker range is designed exclusively for operation with d&b amplifiers. These provide power as well as comprehensive control and protection functions tailored to achieve the performance, reliability and longevity associated with the d&b system approach.

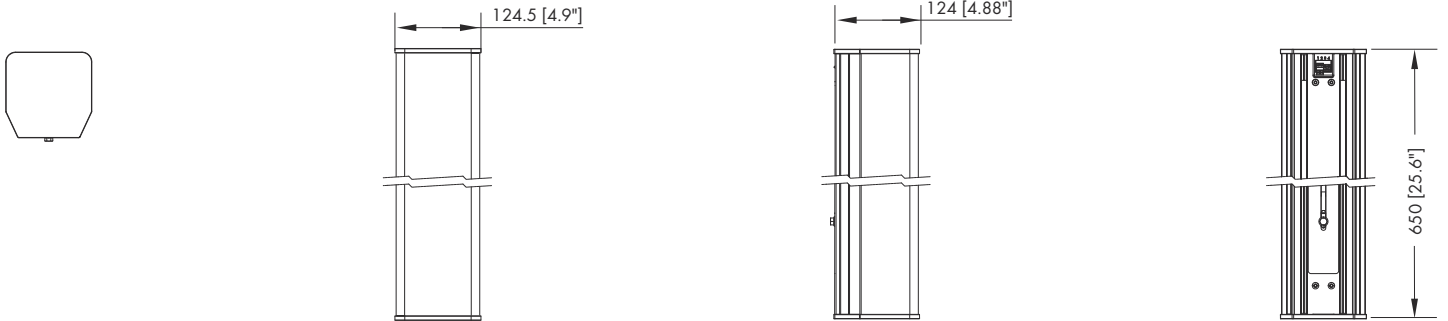
System data

Frequency response (-5 dB standard)	110 Hz - 18 kHz
Frequency response (-5 dB CUT mode)	150 Hz - 18 kHz
Max. sound pressure (1 m, free field)	
16C with 10D/30D/40D/D6/D12/D40/D20/D80	122 dB
..... (SPLmax peak, pink noise test signal with crest factor of 4)	

Loudspeaker data

Nominal impedance	12 ohms
Power handling capacity (RMS/peak 10 ms)	100/500 W
Dispersion angle (h x v)	90° x 40°
Components	4 x 4" driver with neodymium magnet
.....	1 x 0.75" compression driver mounted on CD horn
.....	Passive crossover network
Connections	4-pin Phoenix Euroblock and 1 x NL4 M
.....	Phoenix plug type: MSTB 2,5/ 2-ST-5,08
Pin assignment	Phoenix: 1: + / 2: - (3/4: n.c.)
.....	NL4 M: 1+/1-
Enclosure	Extruded aluminum, metal baffle and front grill
Weight	5 kg (11 lb)
Mounting	Dual rail 8 mm T-slot profile at the rear

The 16C loudspeaker



16C cabinet dimensions in mm [inch]

Architectural specifications

The 2-way passive column loudspeaker shall consist of four 4" neodymium drivers and a 0.75" compression driver mounted on a CD horn.

The HF horn shall have a nominal dispersion of 90° x 40° (h x v).

The 4" drivers shall be arranged in a unique cardioid setup radiating through waveguide elements at the front and damped ports at the rear of the cabinet and shall provide a broadband attenuation to the rear of the column of, on average, approx. 18 dB.

The loudspeaker cabinet shall be based on an extruded aluminum profile with a metal grill protecting the front of the loudspeaker.

Two continuous rails (8 mm T-slot profiles) shall be provided at the rear for attaching a wall mount bracket.

The connection panel on the back shall be recessed and fitted with a 4-pin Phoenix Euroblock terminal and shall allow a cross-section of up to 4 qmm / AWG 11.

In addition a NL4 M connector socket shall be provided.

The loudspeaker shall only be operated by a dedicated, compatible controller amplifier.

The power handling capacity shall be 100 W RMS and 500 W peak (10 ms).

The frequency response (-5 dB) measured on axis shall be 110 Hz to 18 kHz with a maximum sound pressure of at least 122 dB.

The dimensions (W x H x D) shall not exceed 125 x 650 x 124 mm (4.9" x 25.6" x 4.9") and shall weigh no more than 5 kg (11 lb).

The loudspeaker shall be the 16C by:
d&b audiotechnik GmbH & Co. KG.